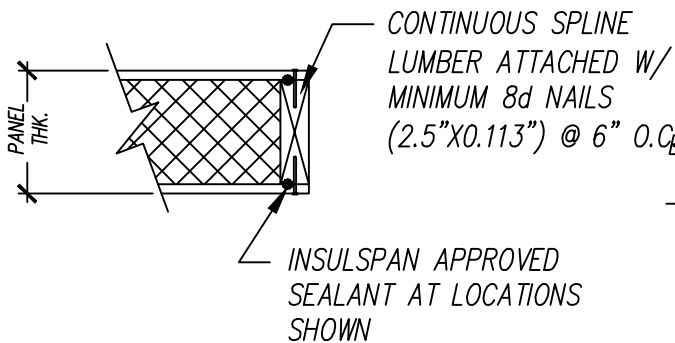
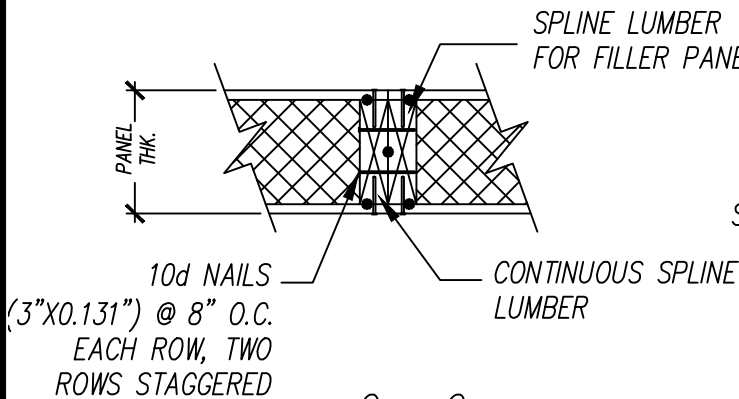




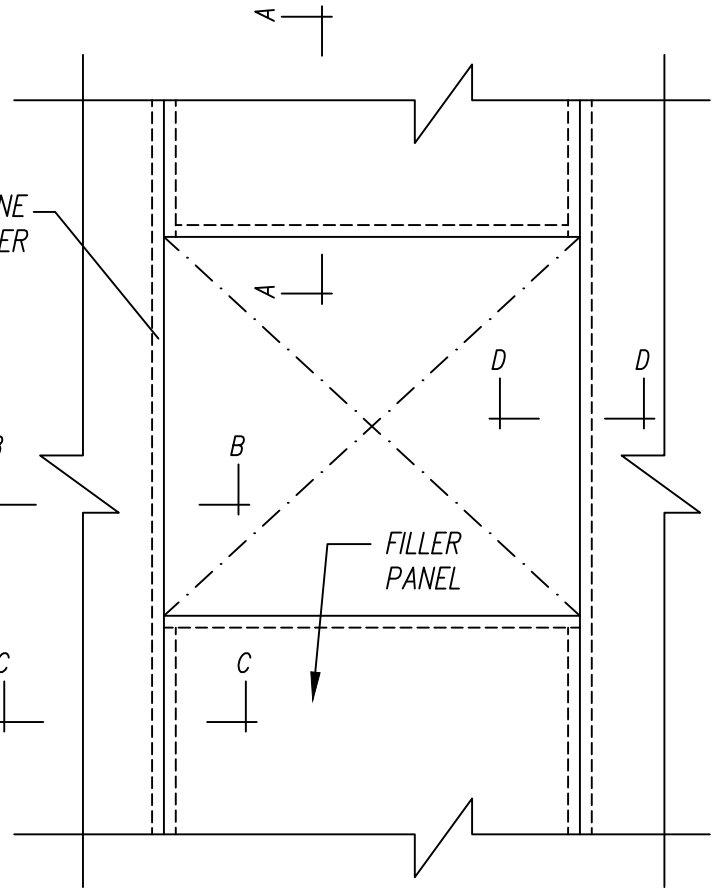
A - A



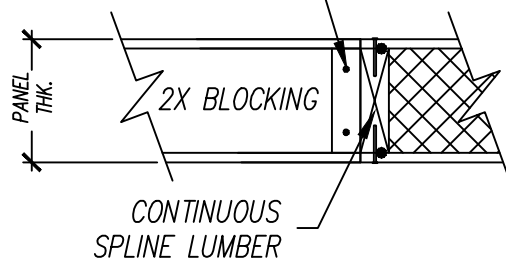
B - B



C - C



(2) 16d NAILS (3.5"x0.135") INTO SPLINE LUMBER FOR FILLER PANEL



D - D

NOTES:

1. THE DETAIL IS TO BE USED WITH INSULSPAN CONSTRUCTION DRAWINGS AND INSTALLATION GUIDE. REFER TO INSULSPAN CONSTRUCTION DRAWINGS FOR FINAL NAIL AND SCREW SCHEDULES.
2. ALL BUILDING COMPONENTS USED IN CONJUNCTION WITH THIS DETAIL SHALL BE IN COMPLIANCE WITH LOCAL CODE REQUIREMENTS.

INSULSPAN[®]

STRUCTURAL INSULATING PANEL SYSTEM

Better building ideas from PFB[™]

SKYLIGHT OPENING

SCALE: N.T.S.

LAST UPDATE: OCT 24, 2013

400.15