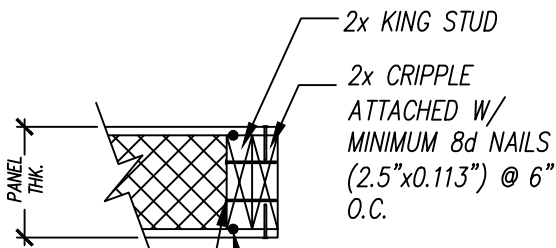
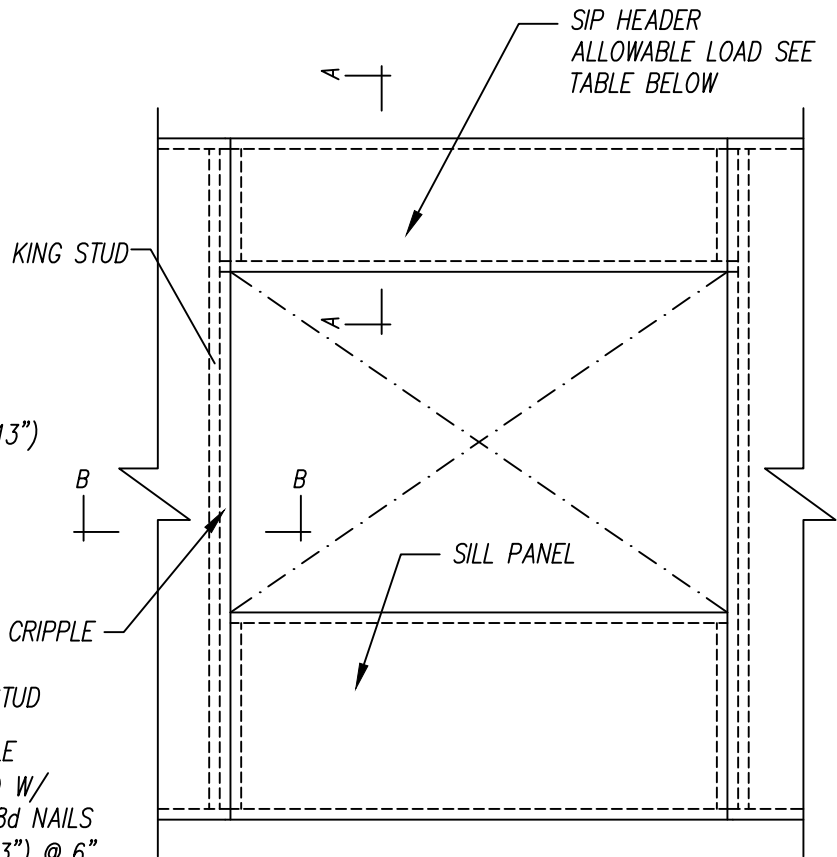


A - A



10d NAILS (3"x0.131")
@ 8" O.C. EACH ROW,
TWO ROWS STAGGERED

INSULSPAN APPROVED
SEALANT AT LOCATIONS
SHOWN

B - B

SIP HEADER ALLOWABLE LOAD (plf)

HEADER HEIGHT	HEADER CLEAR SPAN			
	2 ft	4 ft	6 ft	8 ft
12"	1060	530	310	200

NOTES:

1. THE DETAIL IS TO BE USED WITH INSULSPAN CONSTRUCTION DRAWINGS AND INSTALLATION GUIDE. REFER TO INSULSPAN CONSTRUCTION DRAWINGS FOR FINAL NAIL AND SCREW SCHEDULES.
2. ALL BUILDING COMPONENTS USED IN CONJUNCTION WITH THIS DETAIL SHALL BE IN COMPLIANCE WITH LOCAL CODE REQUIREMENTS.



OPENING/SIP HEADER

SCALE: N.T.S.

LAST UPDATE: JUL 22, 2019

400.12